

MEGLI 1500S

Product Features

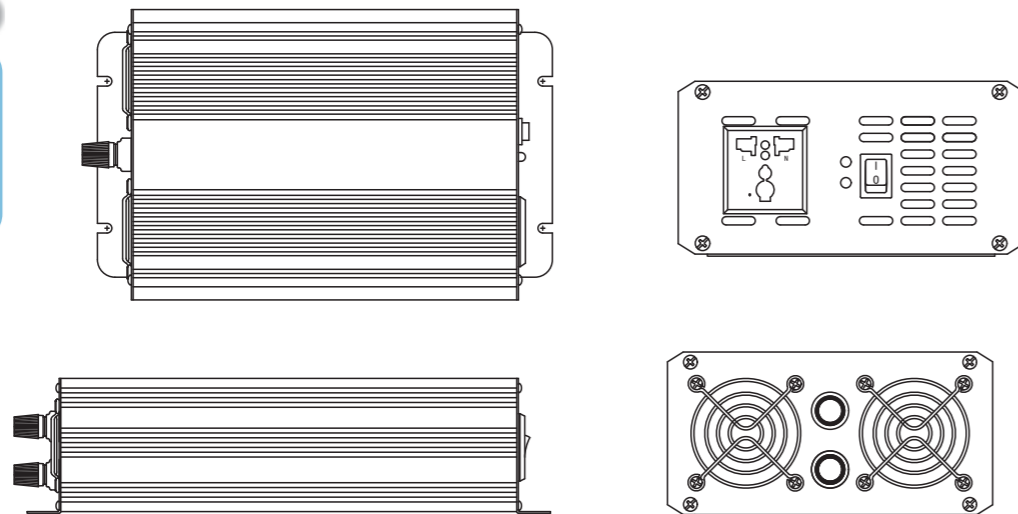
1. Feature with high reliability and low failure rate by using the advanced double CPU single chip intellectual control technology.
2. With pure sine wave output , it can have large load and wide application.
3. With perfect protection (Load Over Protection, Over thermal Protection, short circuit(out put) Protection, overdischarge(input) Protection ,Over-voltage (input) Protection),it will improve the reliability of the product.
4. Samll, light , benefited from adopting the SMD paster technology and CPU controlled centralized.
5. Cooling fan is intellectual controlled, and its working status is controlled by CPU, which , ostly increased its service life and helps to save the power consumption, improve work efficiency and lower the working noise.
6. Low noise, high efficiency.



Quality Certification



Product Appearance



Technical Parameters



| Model | | MEGLI 1500S |
|-------------|-----------------------|---|
| Input | DC Voltage | 12V or 24V or 48V or 110V |
| | DC Voltage Range | 10-15VDC or 21-30VDC or 42-60VDC or 100-120VDC |
| | No Load Current Draw | <1.5A |
| | Max Efficiency | > 85% |
| | DC Connection | Cable With Clips Or Car Adaptor |
| Output | AC Voltage | 100/110/120VAC or 220/230/240VAC |
| | Rated Power | 1500W |
| | Instant Power | 3000W |
| | Wave Form | Pure Sine Wave |
| | Frequency | 50Hz or 60Hz |
| | AC Regulation | 3% |
| Protection | Low Voltage Alarm | 10DC ± 0.5V or 20.5DC ± 1V or 44VDC ± 1V or 100VDC ± 1V |
| | Low Voltage Shut Down | 9.5DC ± 0.5V or 19.5DC ± 1V or 42VDC ± 1V or 96VDC ± 5V |
| | Over Load | Shut Off Output |
| | Over Voltage | 15.5V or 30.5V or 61.2V or 120V |
| | Over Thermal | Shut Off Output Automatically |
| | Fuze | Short Circuit |
| Environment | Working Temperature | From -10°C to +50°C |
| | Working Humidity | 20% ~ 90%RH Non-cooling |
| | Storage Temperature | From -30°C to +70°C |
| Packing | Machine Size(mm) | 385 × 165 × 85 |
| | Packing Size(mm) | 470 × 230 × 148 |
| | N.W(KG) | 3.8 |
| | G.W(KG) | 4.6 |

